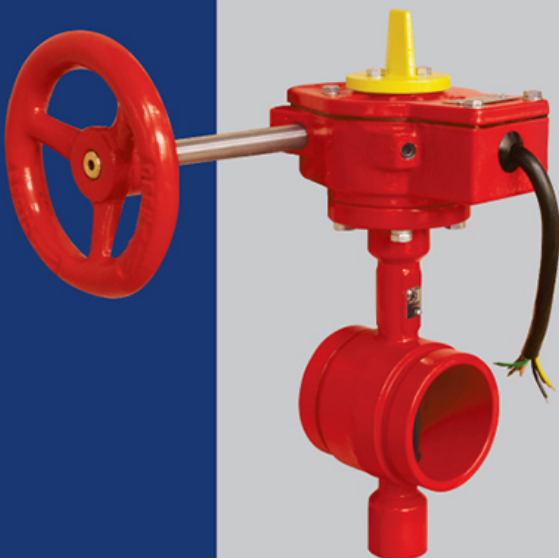
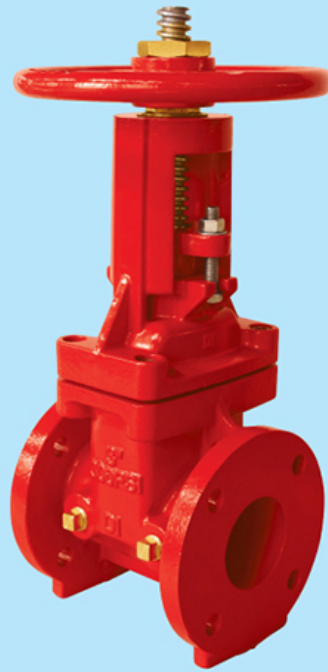


Quality control system is guaranteed
to wipe away your trouble





INTRODUCTION

Ningjin APC Industries

Ningjin APC Industries, a leading manufacturer specializing in development and production of Fire Protection Valves, Industrial Valves, and Marine Valves in North China, was established in 1997, together with the valves research center with more than 30 engineers, including 10 senior engineers and 2 American experts.

APC Industries possesses its own foundry, machining workshop, coating workshop, assembling workshop, and quality control system. With the advanced manufacturing facilities and experience from daily production practice, we can offer our customers OEM/ODM Service.

Under the management of ISO System, APC has won many international certificates, like API 6D, API 609, CE, PED, AD, DNV, LR, BV, especially FM/UL in Fire Protection Industry.

APC currently provides the following FM/UL/ULC Valves and service:

1. FM/UL/ULC Standard 300PSI Wafer Butterfly Valve(Note:2-12" are UL/ULC listed,2.5"-8" are FM approved)
2. FM/UL/ULC Standard 300PSI Grooved Butterfly Valve(Note:2-12" are UL/ULC listed,2.5"-8" are FM approved)
3. UL/ULC Standard 300PSI/175PSI Grooved Butterfly Valve(Backflow type) (2-10")
4. FM/UL Standard Hydrant (Mechanical Connector and Flanged Connector)
5. FM/UL/ULC Standard 200PSI Rising Gate Valve, including Flanged End, Flanged*Grooved, and Grooved End type
6. FM/UL/ULC Standard 200PSI Non-Rising Gate Valve including Flanged End, Flanged*Grooved, and Grooved End type
7. FM/UL/ULC Standard 300PSI Rising Gate Valve
8. FM/UL/ULC Standard 300PSI Non-Rising Gate Valve
9. FM/UL/ULC Standard Vertical Type Indicator
10. FM/UL/ULC Standard Wall Type Indicator
11. FM/UL Standard 300PSI Swing Check Valve(Flanged*Flanged)
12. UL Standard 300PSI Swing Check Valve(Grooved*Grooved, Flanged*Grooved)

*The products above are only for fire protection. For other kind of products, please log on our website at www.apc-valve.com or contact us. We'd like to grow together with you.





Certificate of Compliance

This certificate is issued for the following:
**FIRE SERVICE WATER CONTROL VALVES
 OUTSIDE SCREW & Yoke TYPE (OS&Y)
 MODEL 842**
 AND
**NON-RETURN VALVE TYPE (NRV)
 MODEL 848**

Series: 1, 2, 3, 4, 5, 6, 7, 8, 9 AND 10 (NPS 1/2, 3/4, 1, 1 1/2, 2, 2 1/2, 3, 4, 6, 8, 10, 12, 15, 18, 24, 30, 36, 48, 60, 72, 90, 108, 120, 144, 180, 240, 300, 360, 480, 600)

Prepared for:
**Ningjin APC Industries Co Ltd
 No. 18 of Tashan Road
 Ningjin, Shandong 251400
 China**

Manufactured at:
**Ningjin APC Industries Co Ltd
 No. 18 of Tashan Road
 Ningjin, Shandong 251400
 China**

FM Approvals Class: 11301130

Approval Identification: 00000002 Approval Granted: September 30, 2013

Full Approval is subject to satisfactory field performance, monitoring by Licensed Public and Private Audits, and strict conformity to the construction as shown in the Approval Details, as well as measures of FM Approvals.

For more than 100 years FM Approvals has partnered with business and industry to reduce property losses.

Richard E. Stone
 Richard E. Stone
 Group Manager - Fire Protection
 FM Approvals
 1155 Bureau Boulevard
 Newark, MA 03060



Certificate of Compliance

This certificate is issued for the following:
**FIRE SERVICE WATER CONTROL VALVES
 OUTSIDE SCREW & Yoke TYPE (OS&Y)
 MODEL 842**
 SERIES: 11 AND 12 (NPS 1/2 AND 3/4)

Prepared for:
**Ningjin APC Industries Co. Ltd.
 No. 18 of Tashan Road
 Ningjin, Shandong 251400
 China**

Manufactured at:
**Ningjin APC Industries Co. Ltd.
 No. 18 of Tashan Road
 Ningjin, Shandong 251400
 China**

FM Approvals Class: 11301130

Approval Identification: 00004471 Approval Granted: January 3, 2013

Full Approval is subject to satisfactory field performance, monitoring by Licensed Public and Private Audits, and strict conformity to the construction as shown in the Approval Details, as well as measures of FM Approvals.

For more than 100 years FM Approvals has partnered with business and industry to reduce property losses.

Richard E. Stone
 Richard E. Stone
 Group Manager - Fire Protection
 FM Approvals
 1155 Bureau Boulevard
 Newark, MA 03060



Certificate of Compliance

This certificate is issued for the following:
**GRY and NBS Type Gate Valves
 Model 301, 306 OS&Y and Model 308, 309
 to sizes 1/2 through 12 inch NPS**

Prepared for:
**Ningjin APC Industries Co. Ltd.
 No. 18 of Tashan Road
 Ningjin, Shandong 251400
 China**

Manufactured at:
**Ningjin APC Industries Co. Ltd.
 No. 18 of Tashan Road
 Ningjin, Shandong 251400
 China**

FM Approvals Class: 11301130

Approval Identification: 00004708 Approval Granted: September 3, 2013

To verify the availability of the Approved product, please visit fm.com

Full Approval is subject to satisfactory field performance, monitoring by Licensed Public and Private Audits, and strict conformity to the construction as shown in the Approval Details, as well as measures of FM Approvals.

Richard E. Stone
 Richard E. Stone
 Group Manager - Fire Protection
 FM Approvals
 1155 Bureau Boulevard
 Newark, MA 03060



Certificate of Compliance

This certificate is issued for the following:
**Dry Barrel Fire Extinguishers for Private Fire Service
 Model 500 (50) with two 2.5-Gallon Water Orotide and one 4 Gallon Pump Construction
 Trigger Type**

Prepared for:
**Ningjin APC Industries Co. Ltd.
 No. 18 of Tashan Road
 Ningjin, Shandong 251400
 China**

Manufactured at:
**Ningjin APC Industries Co. Ltd.
 No. 18 of Tashan Road
 Ningjin, Shandong 251400
 China**

FM Approvals Class: 1110 - Fire Extinguishers (Dry Barrel Type) for Private Fire Service

Approval Identification: 304761 Approval Granted: August 19, 2013

To verify the availability of the Approved product, please visit fm.com

Full Approval is subject to satisfactory field performance, monitoring by Licensed Public and Private Audits, and strict conformity to the construction as shown in the Approval Details, as well as measures of FM Approvals.

Richard E. Stone
 Richard E. Stone
 Group Manager - Fire Protection
 FM Approvals
 1155 Bureau Boulevard
 Newark, MA 03060



Certificate of Compliance

This certificate is issued for the following:
**VERTICAL TYPE DISCHARGE PORT
 MODEL Q200
 WALL TYPE INDICATOR POST**

Prepared for:
**Ningjin APC Industries Co Ltd
 No. 18 of Tashan Road
 Ningjin, Shandong 251400
 China**

Manufactured at:
**Ningjin APC Industries Co Ltd
 No. 18 of Tashan Road
 Ningjin, Shandong 251400
 China**

FM Approvals Class: 1100

Approval Identification: 00004707 Approval Granted: November 30, 2012

Full Approval is subject to satisfactory field performance, monitoring by Licensed Public and Private Audits, and strict conformity to the construction as shown in the Approval Details, as well as measures of FM Approvals.

For more than 100 years FM Approvals has partnered with business and industry to reduce property losses.

Richard E. Stone
 Richard E. Stone
 Group Manager - Fire Protection
 FM Approvals
 1155 Bureau Boulevard
 Newark, MA 03060

CERTIFICATE OF COMPLIANCE

Certificate Number: 20131021-EX18432
 Report Reference: EX18432-20131021
 Issue Date: 2013-OCTOBER-21

Issued to: **NING JIN APC INDUSTRIES CO LTD
 18 OF TASHAN RD
 NINGJIN
 SHANDONG 251400 CHINA**

This is to certify that representative samples of **INDICATOR POSTS, GATE VALVE Model 292 vertical, adjustable size, indicator post for use with gate valve sizes 4 through 12 in.**

Have been investigated by UL in accordance with the Standard(s) indicated on this Certificate.

Standards for Safety: **UL 785 - Indicator Posts for Fire Protection Service UL600-C785 - Guide for the Investigation of Indicator Posts for Fire Protection Service**

Additional Information: See the UL Online Certification Directory at www.ul.com/certification for additional information.

Only those products bearing the UL Listing Mark for the US and Canada should be considered as being covered by UL Listing and/or ETL. In a state approved with "C" and "N" approvals, the word "E" (ETL) or a similar number (may be alternately assigned by UL), and the product category name (product identifier) as indicated in the appropriate UL Directory. Look for the UL Listing Mark on the product.

Richard E. Stone
 Richard E. Stone
 Group Manager - Fire Protection
 FM Approvals
 1155 Bureau Boulevard
 Newark, MA 03060

UL

Page 1 of 1

CERTIFICATE OF COMPLIANCE

Certificate Number: 20140219-EX18383
 Report Reference: EX18383-20140219
 Issue Date: 2014-FEBRUARY-18

Issued to: **NING JIN APC INDUSTRIES CO LTD
 18 OF TASHAN RD
 NINGJIN
 SHANDONG 251400 CHINA**

This is to certify that representative samples of **BUTTERFLY VALVES WCF 2714 and ISO 2816.**

Have been investigated by UL in accordance with the Standard(s) indicated on this Certificate.

Standards for Safety: **UL 1009 - Butterfly Valves for Fire Protection Service UL 288 - Manual Signaling System for Fire Alarm Systems UL 780 - Alarm Conductions for Automatic Water-Supply Control Valves for Fire Protection Service**

Additional Information: See the UL Online Certification Directory at www.ul.com/certification for additional information.

Only those products bearing the UL Listing Mark for the US and Canada should be considered as being covered by UL Listing and/or ETL. In a state approved with "C" and "N" approvals, the word "E" (ETL) or a similar number (may be alternately assigned by UL), and the product category name (product identifier) as indicated in the appropriate UL Directory. Look for the UL Listing Mark on the product.

Richard E. Stone
 Richard E. Stone
 Group Manager - Fire Protection
 FM Approvals
 1155 Bureau Boulevard
 Newark, MA 03060

UL

Page 1 of 1

CERTIFICATE OF COMPLIANCE

Certificate Number: 20131020-EX18387
 Report Reference: EX18387-20131020
 Issue Date: 2013-OCTOBER-09

Issued to: **NING JIN APC INDUSTRIES CO LTD
 18 OF TASHAN RD, NINGJIN,
 SHANDONG 251400 CHINA**

This is to certify that representative samples of **GATE VALVES Model: 241-302, 248-303, 241, 248/1, 241, 241, 248, 239**

Have been investigated by UL in accordance with the Standard(s) indicated on this Certificate.

Standards for Safety: **UL 282 & UL600-C282 - Gate Valves for Fire Protection Service**

Additional Information: See the UL Online Certification Directory at www.ul.com/certification for additional information.

Only those products bearing the UL Listing Mark for the US and Canada should be considered as being covered by UL Listing and/or ETL. In a state approved with "C" and "N" approvals, the word "E" (ETL) or a similar number (may be alternately assigned by UL), and the product category name (product identifier) as indicated in the appropriate UL Directory. Look for the UL Listing Mark on the product.

Richard E. Stone
 Richard E. Stone
 Group Manager - Fire Protection
 FM Approvals
 1155 Bureau Boulevard
 Newark, MA 03060

UL

Page 1 of 1

CERTIFICATE OF COMPLIANCE

Certificate Number: 20131021-EX18402
 Report Reference: EX18402-20131021
 Issue Date: 2013-OCTOBER-21

Issued to: **NING JIN APC INDUSTRIES CO LTD
 18 OF TASHAN RD
 NINGJIN
 SHANDONG 251400 CHINA**

This is to certify that representative samples of **INDICATOR POSTS, GATE VALVE Model Q200 wall type, indicator post for use with gate valve sizes 4 through 12 in.**

Have been investigated by UL in accordance with the Standard(s) indicated on this Certificate.

Standards for Safety: **UL 785 - Indicator Posts for Fire Protection Service UL600-C785 - Guide for the Investigation of Indicator Posts for Fire Protection Service**

Additional Information: See the UL Online Certification Directory at www.ul.com/certification for additional information.

Only those products bearing the UL Listing Mark for the US and Canada should be considered as being covered by UL Listing and/or ETL. In a state approved with "C" and "N" approvals, the word "E" (ETL) or a similar number (may be alternately assigned by UL), and the product category name (product identifier) as indicated in the appropriate UL Directory. Look for the UL Listing Mark on the product.

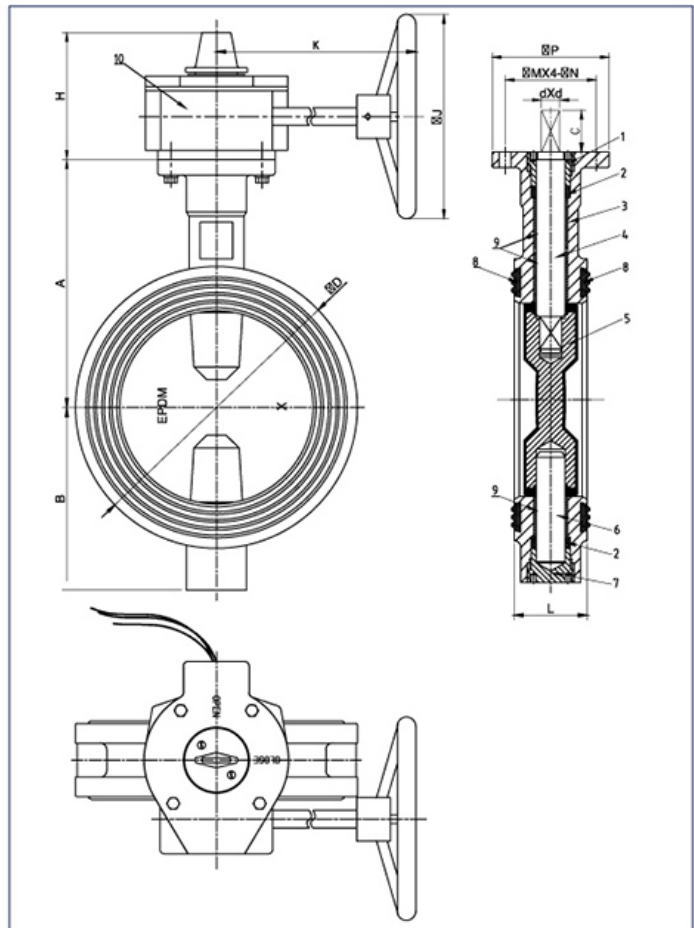
Richard E. Stone
 Richard E. Stone
 Group Manager - Fire Protection
 FM Approvals
 1155 Bureau Boulevard
 Newark, MA 03060

UL

Page 1 of 1

Wafer Type Butterfly Valve,UL/ULC Listed,FM Approved**Model No.:WD-371X****Technical Specifications:**

- 1.Maximum Working Pressure:300PSI(Max.Test Pressure:600PSI)
- 2.Maximum Working Temperature:250 F (120 C)
- 3.Application: Indoor and Outdoor Use
- 4.Double-Seal Disc:Resilient EPDM Coated
- 5.Factory Installed Supervisory Tamper Switch Assembly

**SIZE CHART**

| ITEM SIZE | A | B | C | D | H | K | J | P | M | N | d | L | |
|-----------|-----|-----|----|-----|-----|-----|-----|-----|-----|-----|----|------|------|
| 2" | 110 | 85 | 32 | 100 | 111 | 153 | 218 | 152 | 90 | 70 | 9 | 10 | 42 |
| 2-1/2" | 125 | 95 | 32 | 112 | 111 | 153 | 218 | 152 | 90 | 70 | 9 | 10 | 44.2 |
| 3" | 140 | 100 | 32 | 120 | 111 | 153 | 218 | 152 | 90 | 70 | 9 | 11 | 45.3 |
| 4" | 160 | 100 | 32 | 161 | 111 | 153 | 218 | 152 | 90 | 70 | 9 | 14 | 52 |
| 5" | 170 | 125 | 32 | 182 | 111 | 153 | 218 | 152 | 90 | 70 | 9 | 14 | 54.4 |
| 6" | 190 | 140 | 32 | 216 | 111 | 153 | 218 | 200 | 90 | 70 | 9 | 16 | 55.8 |
| 8" | 230 | 175 | 32 | 260 | 126 | 210 | 232 | 300 | 125 | 102 | 12 | 19 | 60.5 |
| 10" | 260 | 200 | 45 | 320 | 126 | 210 | 232 | 300 | 125 | 102 | 12 | 24 | 66.5 |
| 12" | 300 | 240 | 45 | 375 | 161 | 249 | 350 | 150 | 125 | 14 | 26 | 76.9 | |

Carried Standard

| | |
|-----------------------|-----------------|
| Design Standard | API609 |
| Face to Face Standard | ASME B16.10 |
| Top flange Standard | ISO 5211 |
| Test Standard | FM1112 / UL1091 |

| | | |
|------------|-------------------------|-----------------|
| 10 | Signal Gearbox | DI |
| 09 | Stem Bushing | PTFE |
| 08 | End Face Seal | EPDM |
| 07 | Lower Shaft Sealing Nut | WCB |
| 06 | Lower Shaft | SS416 |
| 05 | Disc | DI+EPDM |
| 04 | Upper Shaft | SS416 |
| 03 | Body | DI |
| 02 | Shaft Seal | EPDM |
| 01 | Upper Shaft Sealing Nut | WCB |
| NO. | Name | Material |

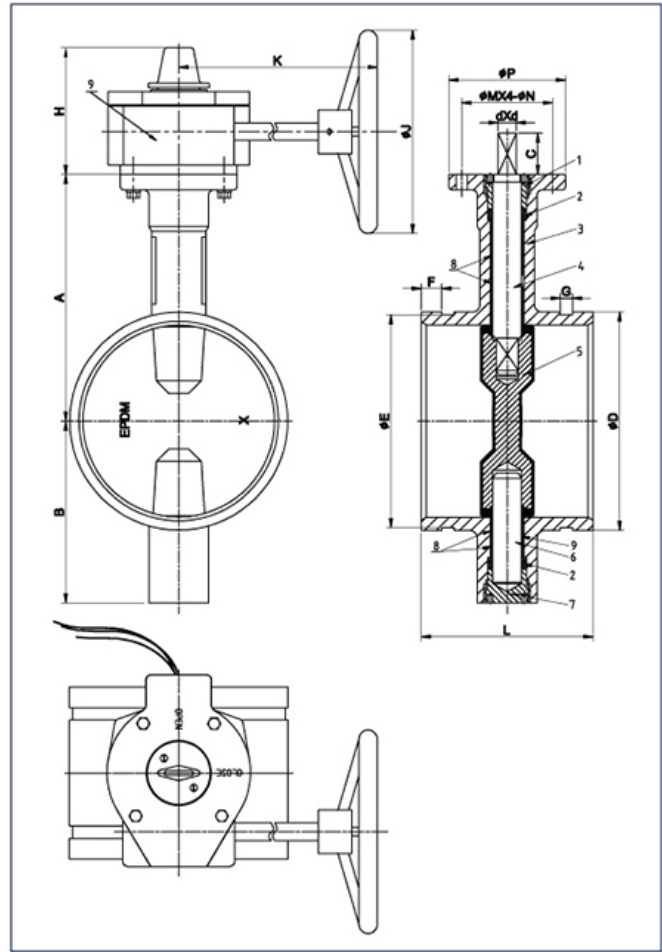
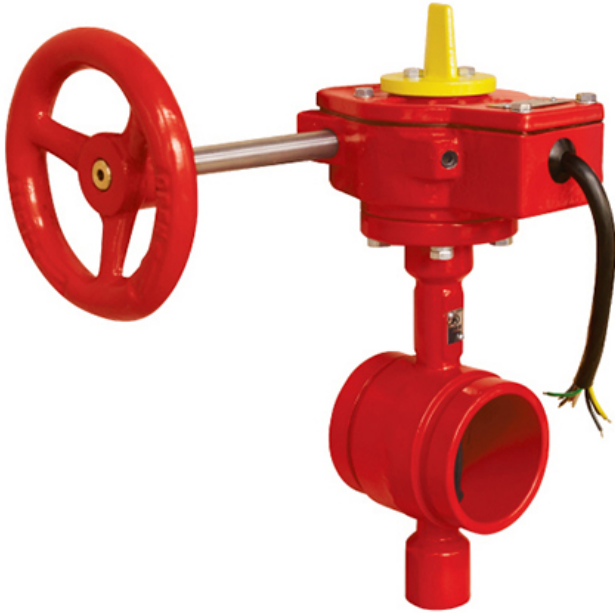
Grooved Type Butterfly Valve,UL/ULC Listed,FM Approved

Model No.:GD-381X



Technical Specifications:

- 1.Maximum Working Pressure:300PSI(Max. Test Pressure:600PSI)
- 2.Maximum Working Temperature:250 F (120 C)
- 3.Application: Indoor and Outdoor Use
- 4.Double-Seal Disc:Resilient EPDM Coated
- 5.Factory Installed Supervisory Tamper Switch Assembly



SIZE CHART

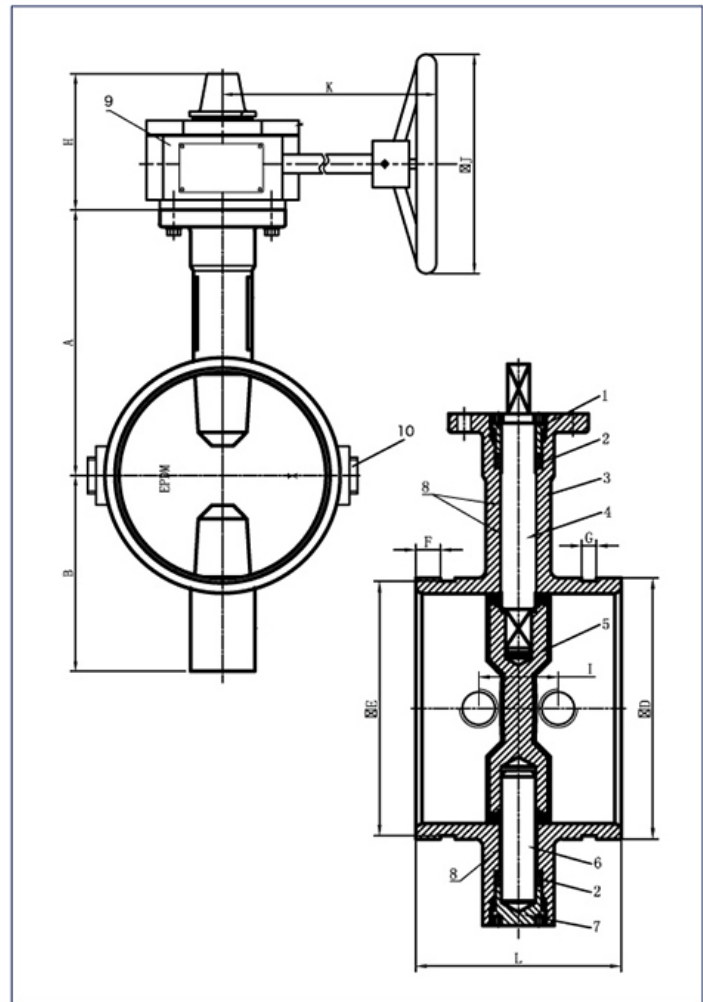
| ITEM SIZE | A | B | C | D | E | F | G | H | K | J | P | M | N | d | L | |
|-----------|-----|-----|----|-------|-------|------|------|-----|-----|-----|-----|-----|-----|----|-----|-------|
| 2" | 110 | 85 | 32 | 60.3 | 57.15 | 15.9 | 7.9 | 111 | 218 | 153 | 152 | 90 | 70 | 9 | 10 | 88 |
| 2-1/2" | 125 | 95 | 32 | 73 | 69.1 | 15.9 | 7.9 | 111 | 218 | 153 | 152 | 90 | 70 | 9 | 10 | 96.4 |
| | | | | 76.1 | 72.3 | | | | | | | | | | | |
| 3" | 140 | 100 | 32 | 88.9 | 84.9 | 15.9 | 7.9 | 111 | 218 | 153 | 152 | 90 | 70 | 9 | 11 | 97 |
| 4" | 160 | 100 | 32 | 114.3 | 110.1 | 15.9 | 9.5 | 111 | 218 | 153 | 152 | 90 | 70 | 9 | 14 | 115.1 |
| 5" | 170 | 125 | 32 | 139.7 | 135.5 | 15.9 | 9.5 | 111 | 218 | 153 | 152 | 90 | 70 | 9 | 14 | 132.4 |
| | | | | 141.3 | 137 | | | | | | | | | | | |
| 6" | 190 | 140 | 32 | 165.1 | 160.9 | 15.9 | 9.5 | 111 | 218 | 153 | 200 | 90 | 70 | 9 | 16 | 132.4 |
| | | | | 168.3 | 164 | | | | | | | | | | | |
| 8" | 230 | 175 | 32 | 216.3 | 211.6 | 19 | 11.1 | 126 | 232 | 210 | 300 | 125 | 102 | 12 | 19 | 147.4 |
| | | | | 219.1 | 214.4 | | | | | | | | | | | |
| 10" | 260 | 200 | 45 | 267.4 | 262.6 | 19 | 12.7 | 126 | 232 | 210 | 300 | 125 | 102 | 12 | 24 | 159 |
| | | | | 273 | 268.3 | | | | | | | | | | | |
| 12" | 300 | 240 | 45 | 318.5 | 312.9 | 19 | 12.7 | 161 | 249 | 350 | 150 | 125 | 14 | 26 | 165 | |
| | | | | 323.8 | 318.3 | | | | | | | | | | | |

| Carried Standard | |
|---------------------|-----------------|
| Design Standard | API609 |
| Groove Standard | ANSI/AWWA C606 |
| Top flange Standard | ISO5211 |
| Test Standard | FM1112 / UL1091 |

| 09 | Signal Gearbox | DI |
|-----|-------------------------|----------|
| 08 | Stem Bushing | PTFE |
| 07 | Lower Shaft Sealing Nut | WCB |
| 06 | Lower Shaft | SS416 |
| 05 | Disc | DI+EPDM |
| 04 | Upper Shaft | SS416 |
| 03 | Body | DI |
| 02 | Shaft Seal | EPDM |
| 01 | Upper Shaft Sealing Nut | WCB |
| NO. | Name | Material |

Fire Protection Butterfly Valve,UL/ULC Listed

Model No.:HFGD-381X / HGD-381X-175



| Carried Standard | |
|---------------------|------------------|
| Design Standard | API609 |
| Groove Standard | ANSI / AWWA C606 |
| Top Flange Standard | ISO 5211 |

SIZE CHART

| ITEM SIZE | A | B | C | D | E | F | G | H | K | J | L |
|-----------|-----|-----|----|-------|-------|------|------|-----|-----|-----|-------|
| 2.5" | 125 | 95 | 32 | 73 | 69.1 | 15.9 | 7.9 | 111 | 153 | 152 | 152.4 |
| | | | | 76.1 | 72.1 | | | | | | |
| 3" | 140 | 100 | 32 | 88.9 | 84.9 | 15.9 | 7.9 | 111 | 153 | 152 | 158.8 |
| 4" | 160 | 100 | 32 | 114.3 | 110.1 | 15.9 | 9.5 | 111 | 153 | 152 | 168.4 |
| 6" | 190 | 140 | 32 | 165.1 | 160.7 | 15.9 | 9.5 | 111 | 153 | 200 | 177.8 |
| | | | | 168.3 | 164 | | | | | | |
| 8" | 230 | 175 | 32 | 216.3 | 211.6 | 19 | 11.1 | 126 | 230 | 290 | 203 |
| | | | | 219.1 | 214.6 | | | | | | |
| 10" | 260 | 200 | 45 | 267.4 | 262.6 | 19 | 12.7 | 126 | 230 | 290 | 203 |
| | | | | 273 | 268.3 | | | | | | |

| | | |
|----|-------------------------|----------|
| 10 | Plug | C95400 |
| 09 | Signal Gearbox | DI |
| 08 | Stem Bushing | C95400 |
| 07 | Lower Shaft Sealing Nut | WCB |
| 06 | Lower Shaft | SS416 |
| 05 | Disc | DI+EPDM |
| 04 | Upper Shaft | SS416 |
| 03 | Body | DI |
| 02 | Shaft Seal | EPDM |
| 01 | Upper Shaft Sealing Nut | WCB |
| NO | Name | Material |

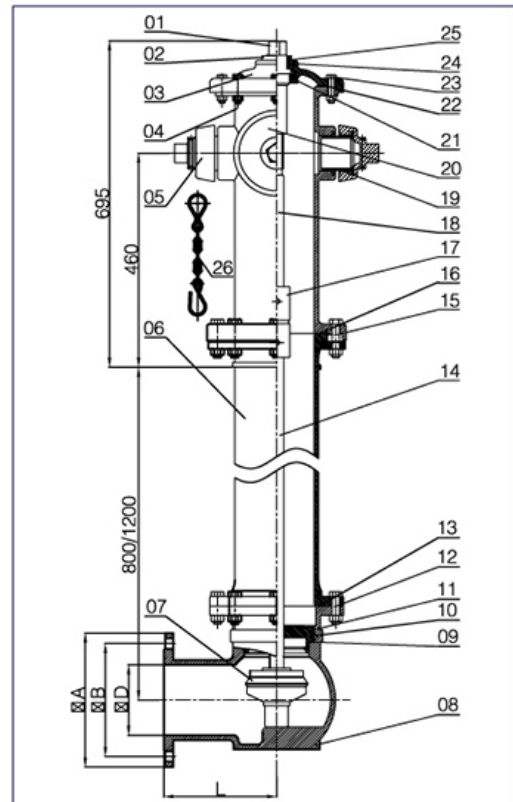
Dry Barrel Fire Hydrant

Model No.:MH-XFS

Technical requirements

- 1.Design standard:ANSI / AWWA C502.
- 2.Nominal pressure:250PSI.
- 3.Connecting thread of fire truck is 4.5-4NH.
2 thread connector of hose is 2.5-7.5NH.
- 4.Flange connector:DIN 2501 PN16 / ASME B16.5 CLASS150

| | | DN100 | DN150 |
|---|------|-------|-------|
| A | 150 | 190.5 | 241.3 |
| | PN16 | 180 | 240 |
| B | 150 | 19 | 23 |
| | PN16 | 19 | 23 |
| D | 150 | 100 | 150 |
| | PN16 | 100 | 150 |
| L | | 200 | 240 |



| NO. | NAME | QTY |
|-----|-----------------------|-----|
| 01 | Drive Rod | 1 |
| 02 | Screw Nut Seat | 1 |
| 03 | Upper End Cover | 1 |
| 04 | Main Body On Ground | 1 |
| 05 | Coupling DN65 | 2 |
| 06 | Connecting Cylinder | 1 |
| 07 | Sealing Seat | 1 |
| 08 | Connecting Flange | 1 |
| 09 | Sealing Ring | 1 |
| 10 | Seat Cover | 1 |
| 11 | Sealing Ring | 1 |
| 12 | Bolt | 8 |
| 13 | Sealing Ring | 1 |
| 14 | Lower Connecting Rod | 1 |
| 15 | Bolt | 8 |
| 16 | Sealing Ring | 1 |
| 17 | Connection Rod Sleeve | 1 |
| 18 | Upper Connecting Rod | 1 |
| 19 | Coupling DN100 | 2 |
| 20 | Cover DN100 | 1 |
| 21 | Sealing Ring | 1 |
| 22 | Seal Gasket | 1 |
| 23 | Bolt | 8 |
| 24 | Sealing Ring | 1 |
| 25 | Sealing Ring | 2 |
| 26 | Cover Chain | 3 |

Dry Barrel Fire Hydrant, UL Listed, FM Approved

Model No.:MH-1510FA / MH-1510A

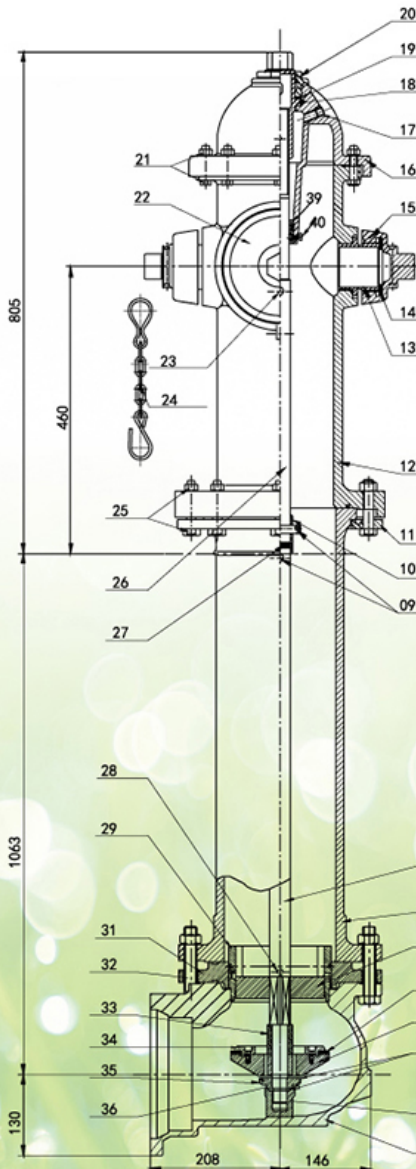


SIZE CHART

| SIZE ITEM | 3'-6" | 4' | 4' 6" | 5' | 5' 6" | 6' | 6' 6" | 7' |
|-----------|-------|------|-------|------|-------|------|-------|------|
| L | 1063 | 1215 | 1368 | 1520 | 1673 | 1825 | 1978 | 2130 |

Technical Specifications:

- 1.Design Standard:AWWA C502
- 2.Nominal Pressure:250PSI
- 3.One pumper nozzle, 4.5-4NH thread. Two hose nozzles, 2.5-7.5NH threads.Other kinds of threads are available
- 4.Mechanical connector:AWWA/ANSI C153/A21.53 6"
- 5.Flange connector:ASME B16.5 CLASS150/DIN2501 PN16



| 40 | Bolt | 2 | 304 | ASTM A240 |
|-----|---------------------------------------|------|----------|------------------|
| 39 | Screw Stem Bushing | 1 | 304 | ASTM A240 |
| 38 | Cover Gasket DN100 | 1 | EPDM | Figure not shown |
| 37 | Connector DN100 | 1 | C95400 | ASTMB148 |
| 36 | Check Turn Gasket | 1 | Gr.B | ASTM A283-B |
| 35 | Locking Nut Seat | 1 | DI | |
| 34 | Platen | 1 | DI | |
| 33 | Annular Tubes | 1 | 1045 | ASTM A29\29M |
| 32 | Bolts & Nuts | 8 | 1035 | ASTM A29\29M |
| 31 | Seat Fixing Plate | 1 | DI | |
| 29 | Seat | 1 | C95400 | ASTM B148 |
| 28 | Pressure Relief Valve | | SS304 | ASTM A240 |
| 27 | Cushion Rubber | 1 | EPDM | |
| 26 | Screw Stem | 1 | 1045 | ASTM A29\29M |
| 25 | Bolts & Nuts | 8 | 1035 | ASTM A29\29M |
| 24 | Cover Chain | 3 | Gr.B | ASTM A283-B |
| 23 | Cylindrical Pin | 1 | 1045 | ASTM A29\29M |
| 22 | Coupling DN100 | 1 | DI | |
| 21 | Bolts & Nuts | 8 | 1035 | ASTM A29\29M |
| 20 | Screw Nut Seat | 1 | C95400 | ASTM B148 |
| 19 | Screw Nut Gasket | 1 | C95400 | ASTM B148 |
| 18 | Screw Stem Nut | 1 | C95400 | ASTM B148 |
| 17 | Thread Plug | 1 | C95400 | ASTM B148 |
| 16 | Upper End Cover | 1 | DI | |
| 15 | Coupling DN65 | 2 | DI | |
| 14 | Cover Gasket DN65 | 2 | EPDM | |
| 13 | Connector DN65 | 2 | C95400 | ASTM B148 |
| 12 | Main Body On Ground | 1 | DI | |
| 11 | Clamp For Connection Tube | 1 | DI | |
| 10 | Connecting Rod Sleeve | 1 | 1045 | ASTM A29\29M |
| 09 | Perforated Cylindrical Pin | 2 | 1045 | ASTM A29\29M |
| 08 | Connecting Cylinder | 1 | DI | |
| 07 | Guid Bracket | 1 | C95400 | ASTM B148 |
| 06 | Sealed Rubber Sheet | 1 | EPDM | |
| 05 | Tray | 1 | DI | |
| 04 | Locking Nut Gasket | 1 | EPDM | |
| 03 | Connecting Rod | 1 | 1045 | ASTM A29\29M |
| 02 | Locking Nut | 1 | DI | |
| 01 | Flange Connector/Mechanical Connector | 1 | DI | |
| NO. | Name | Qty. | Material | Remark |

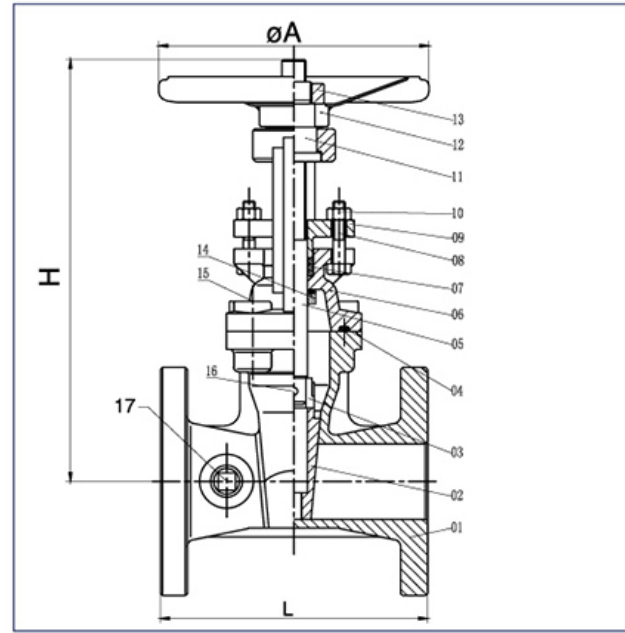
200PSI-OS&Y Type Flanged End Gate Valve,UL/ULC Listed,FM Approved

Model No.:Z41



Technical Specifications:

- 1.Design Standard:AWWA C515
- 2.Nominal Pressure:200PSI
- 3.Flange standard :ASME/ANSI B16.1 Class 125 or ASME/ANSI B16.42 Class 150 or BS EN1092-2 PN16 or GB/T9113.1
- 4.Epoxy resin coating both inside & outside the body



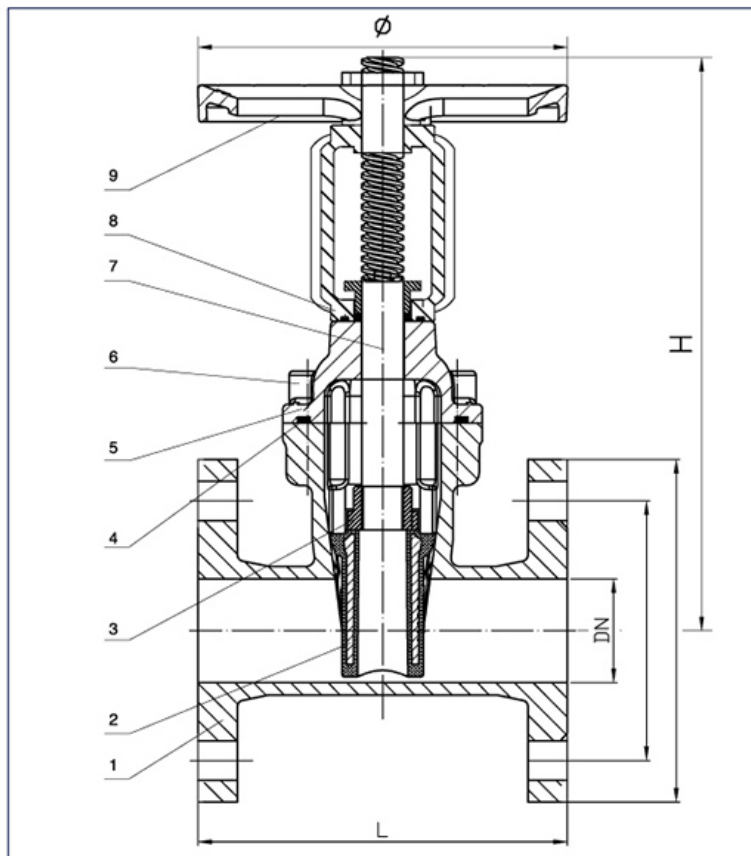
SIZE CHART

| SIZE ITEM | 2" | 2-1/2" | 3" | 4" | 5" | 6" | 8" | 10" | 12" |
|--------------|-----|--------|-----|-----|-----|-----|-----|-----|------|
| L | 178 | 190 | 203 | 229 | 254 | 267 | 292 | 330 | 356 |
| H | 313 | 340 | 387 | 440 | 546 | 607 | 786 | 946 | 1110 |
| øA | 180 | 200 | 220 | 250 | 280 | 300 | 350 | 406 | 406 |

| 17 | Plug | 2 | C95400 | ASTM B148 |
|-----|-----------------------|------|----------|---------------------------|
| 16 | Cylinder Pin | 1 | Steel | |
| 15 | Countersunk Head Bolt | 4 | Steel | |
| 14 | Flat Key | 1 | S.S.416 | |
| 13 | Lock Nut | 1 | Steel | ANSI 1045 |
| 12 | Handwheel | 1 | Steel | ANSI 1045 |
| 11 | Rotating Nut | 1 | C95400 | ASTM B148 |
| 10 | Nut | 2 | Steel | |
| 09 | Platen | 1 | DI | ASTM A536 65-45-12 |
| 08 | Bolt | 2 | Steel | |
| 07 | Sealing Kits | 3 | Graphite | |
| 06 | Cap | 1 | DI | ASTM A536 65-45-12 |
| 05 | Stem | 1 | S.S.304 | ASTM A276 |
| 04 | Sealing Pad | 1 | EPDM | ASTM D2000 EPDM |
| 03 | Connecting Part | 1 | C95400 | ASTM B148 |
| 02 | Disc | 1 | DI+EPDM | ASTM A536 65-45-12 + EPDM |
| 01 | Body | 1 | DI | ASTM A536 65-45-12 |
| No. | Name | Qty. | Material | Remark |

200PSI OS&Y Type Flanged End Gate Valve, FM Approved

Model No.:Z41



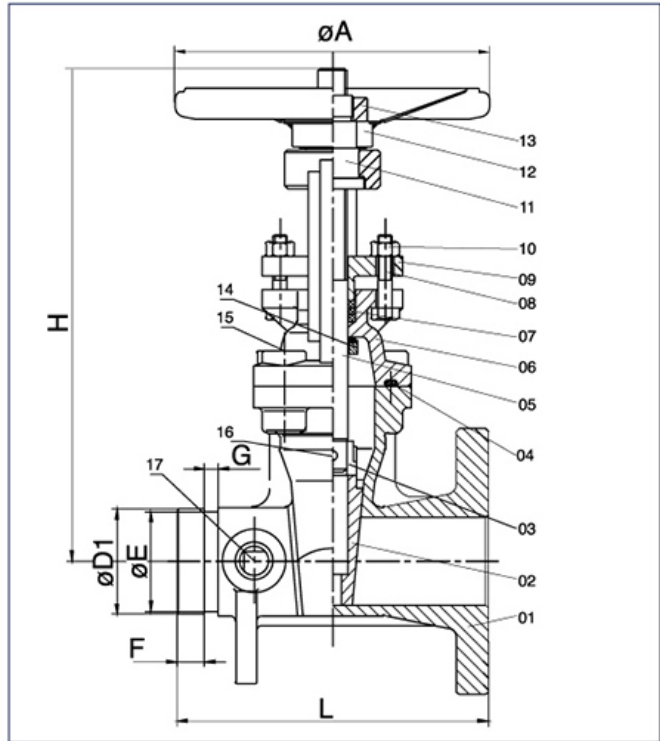
DIMENSIONS

| SIZE | D | D1 | L | H | n-d | φ |
|------|-----|-------|-----|------|-------|-----|
| 14" | 533 | 476 | 381 | 1130 | 12-29 | 465 |
| 16" | 597 | 539.5 | 406 | 1330 | 16-29 | 465 |

| NO. | NAME | MATERIAL |
|-----|--------------|----------|
| 01 | Body | DI |
| 02 | Disc | DI+EPDM |
| 03 | Nut | C95400 |
| 04 | "O"Ring | EPDM |
| 05 | Cover | DI |
| 06 | Bolt | Steel |
| 07 | Stem | SS410 |
| 08 | Gland Flange | DI |
| 09 | Hand wheel | DI |

200PSI-OS&Y Type Flanged x Grooved End Gate Valve,UL/ULC Listed,FM Approved**Model No.:Z481****Technical Specifications:**

- 1.Design Standard:AWWA C515
- 2.Nominal Pressure:200PSI
- 3.Flange standard :ASME/ANSI B16.1 Class 125 or ASME/ANSI B16.42 Class 150 or BS EN1092-2 PN16 or GB/T9113.1
- 4.Groove Standard:Metric or AWWA C606
- 5.Epoxy resin coating both inside & outside the body

**SIZE CHART**

| SIZE ITEM | 2" | 2-1/2" | 3" | 4" | 5" | 6" | 8" | 10" | 12" |
|--------------|------|--------|------|-------|-------|-------|-------|-------|-------|
| L | 178 | 190 | 203 | 229 | 254 | 267 | 292 | 330 | 356 |
| H | 313 | 340 | 387 | 440 | 546 | 607 | 786 | 946 | 1110 |
| øA | 180 | 200 | 220 | 250 | 280 | 300 | 350 | 406 | 406 |
| øD1 | 60.3 | 76.1 | 88.9 | 114.3 | 141.3 | 168.3 | 219.1 | 273 | 323.9 |
| øE | 57.2 | 72.3 | 84.9 | 110.1 | 137 | 163.9 | 214.4 | 268.3 | 318.3 |
| F | 15.9 | 15.9 | 15.9 | 15.9 | 15.9 | 15.9 | 19 | 19 | 19 |
| G | 7.9 | 7.9 | 7.9 | 9.5 | 9.5 | 9.5 | 11.1 | 12.7 | 12.7 |

| 17 | Plug | 2 | C95400 | ASTM B148 |
|-----|-----------------------|------|----------|--------------------------|
| 16 | Cylinder Pin | 1 | Steel | |
| 15 | Countersunk Head Bolt | 4 | Steel | |
| 14 | Flat Key | 1 | Steel | |
| 13 | Lock Nut | 1 | Steel | ANSI 1045 |
| 12 | Handwheel | 1 | Steel | ANSI 1045 |
| 11 | Rotating Nut | 1 | C95400 | ASTM B148 |
| 10 | Nut | 2 | Steel | ASTM A307 B |
| 09 | Platen | 1 | DI | ASTM A536 65-45-12 |
| 08 | Bolt | 2 | Steel | |
| 07 | Sealing Kits | 3 | Graphite | |
| 06 | Cap | 1 | DI | ASTM A536 65-45-12 |
| 05 | Stem | 1 | S.S.304 | ASTM A276 |
| 04 | Sealing Pad | 1 | EPDM | ASTM D2000 EPDM |
| 03 | Connecting Part | 1 | C95400 | ASTM B148 |
| 02 | Disc | 1 | DI+EPDM | ASTM A536 65-45-12 +EPDM |
| 01 | Body | 1 | DI | ASTM A536 65-45-12 |
| NO. | Name | Qty. | Material | Remark |

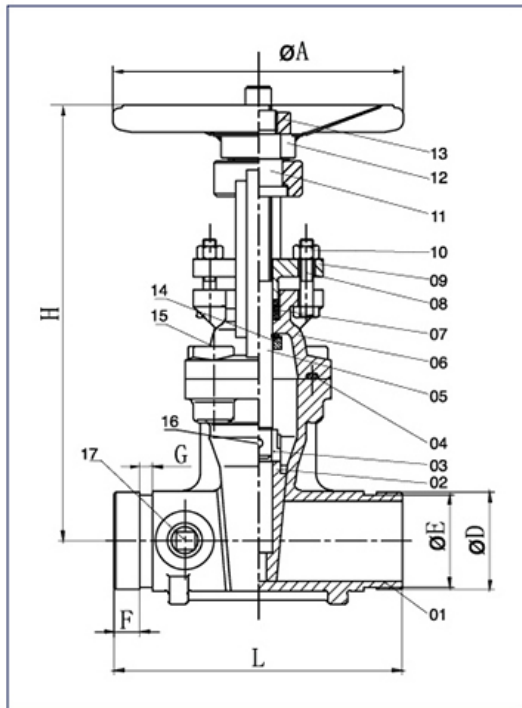
200PSI-OS&Y Type Grooved End Gate Valve,UL/ULC Listed,FM Approved

Model No.:Z81



Technical Specifications:

- 1.Design Standard:AWWA C515
- 2.Nominal Pressure:200PSI
- 3.Groove Standard:Metric or AWWA C606
- 4.Epoxy resin coating both inside & outside the body



SIZE CHART

| SIZE | 2" | 2-1/2" | 3" | 4" | 5" | 6" | 8" | 10" | 12" |
|------|------|--------|------|-------|-------|-------|-------|-------|-------|
| L | 178 | 190 | 203 | 229 | 254 | 267 | 292 | 330 | 356 |
| H | 313 | 340 | 387 | 440 | 546 | 607 | 786 | 946 | 1110 |
| ØA | 180 | 200 | 220 | 250 | 280 | 300 | 350 | 406 | 406 |
| ØD | 60.3 | 76.1 | 88.9 | 114.3 | 141.3 | 168.3 | 219.1 | 273 | 323.9 |
| ØE | 57.2 | 72.3 | 84.9 | 110.1 | 137 | 163.9 | 214.4 | 268.3 | 318.3 |
| F | 15.9 | 15.9 | 15.9 | 15.9 | 15.9 | 15.9 | 19 | 19 | 19 |
| G | 7.9 | 7.9 | 7.9 | 9.5 | 9.5 | 9.5 | 11.1 | 12.7 | 12.7 |

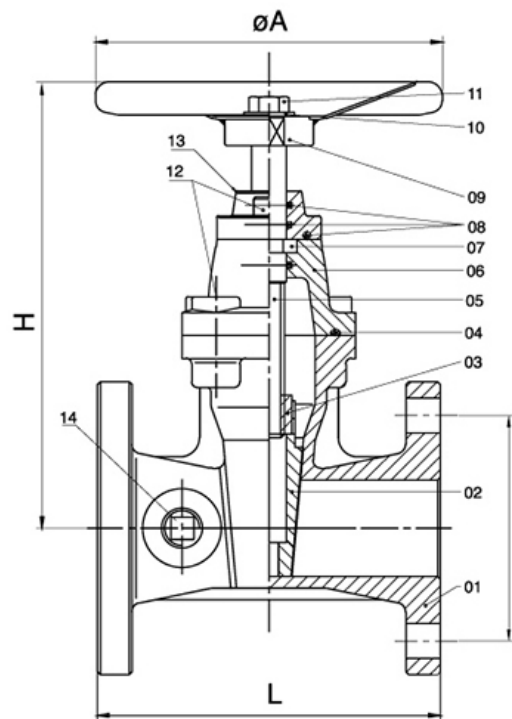
| 17 | Plug | 2 | C95400 | ASTM B148 |
|-----|-----------------------|------|----------|---------------------------|
| 16 | Cylinder Pin | 1 | Steel | |
| 15 | Countersunk Head Bolt | 4 | Steel | |
| 14 | Flat Key | 1 | S.S.416 | ASTM A276 |
| 13 | Lock Nut | 1 | Steel | ANSI 1045 |
| 12 | Handwheel | 1 | Steel | ANSI 1045 |
| 11 | Rotating Nut | 1 | C95400 | ASTM B148 |
| 10 | Nut | 2 | Steel | |
| 09 | Platen | 1 | DI | ASTM A536 65-45-12 |
| 08 | Bolt | 2 | Steel | |
| 07 | Sealing Kits | 3 | Graphite | |
| 06 | Cap | 1 | DI | ASTM A536 65-45-12 |
| 05 | Stem | 1 | S.S.304 | ASTM A276 |
| 04 | Sealing Pad | 1 | EPDM | ASTM D2000 EPDM |
| 03 | Connecting Part | 1 | C95400 | ASTM B148 |
| 02 | Disc | 1 | DI+EPDM | ASTM A536 65-45-12 + EPDM |
| 01 | Body | 1 | DI | ASTM A536 65-45-12 |
| NO. | Name | Qty. | Material | Remark |

200PSI-NRS Type Flanged End Gate Valve**Model No.:Z45B****Technical Specifications:**

- 1.Design Standard:AWWA C515
- 2.Nominal Pressure:200PSI
- 3.Flange standard :ASME/ANSI B16.1 Class 125 or ASME/ANSI B16.42 Class 150 or BS EN1092-2 PN16 or GB/T9113.1
- 4.Epoxy resin coating both inside & outside the body

**SIZE CHART**

| SIZE ITEM | 2-1/2" | 3" | 4" | 5" | 6" | 8" | 10" | 12" |
|--------------|--------|-----|-----|-----|-----|-----|-----|-----|
| L | 190 | 203 | 229 | 254 | 267 | 292 | 330 | 356 |
| H | 289 | 326 | 355 | 410 | 455 | 558 | 648 | 745 |
| øA | 220 | 250 | 280 | 300 | 350 | 380 | 450 | 450 |



| | | | | |
|------------|-----------------------|-------------|-----------------|-------------------------|
| 14 | Plug | 2 | C95400 | ASTM B148 |
| 13 | Platen | 1 | DI | ASTM A536 65-45-12 |
| 12 | Countersunk Head Bolt | n | Steel | |
| 11 | Bolt | 1 | Steel | |
| 10 | Flat Gasket | 1 | Steel | |
| 09 | Handwheel | 1 | Steel | ANSI 1045 |
| 08 | O-Ring | 2 | EPDM | NBR |
| 07 | Retainer Ring | 1 | C95400 | ASTM B148 |
| 06 | Cap | 1 | DI | ASTM A536 65-45-12 |
| 05 | Stem | 1 | Stainless Steel | SS420 |
| 04 | Gasket | 1 | EPDM | NBR |
| 03 | Nut | 1 | Cast Bronze | ASTM B62 |
| 02 | Disc | 1 | DI+EPDM | ASTM A536 65-45-12+EPDM |
| 01 | Body | 1 | DI | ASTM A536 65-45-12 |
| NO. | Name | Qty. | Material | Remark |

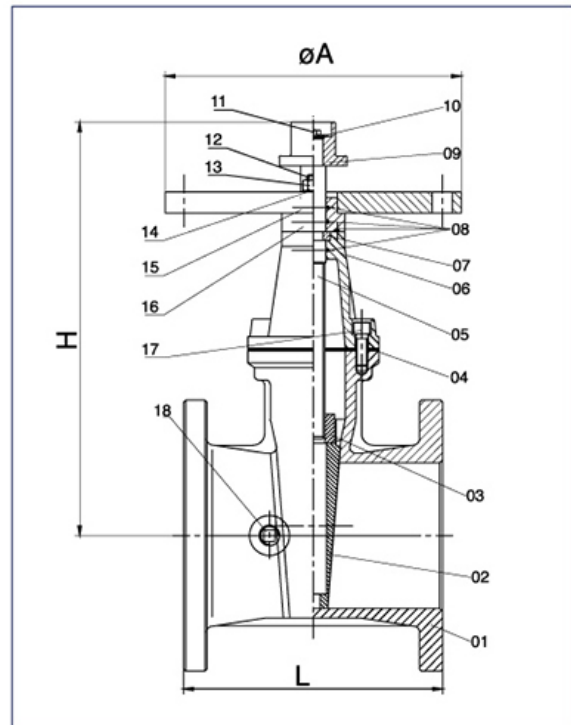
200PSI NRS Type Flanged End Gate Valve with Round Plate, UL/ULC Listed, FM Approved

Model No.:Z45



Technical Specifications:

- 1.Design Standard:AWWA C515
- 2.Nominal Pressure:200PSI
- 3.Flange standard:ASME/ANSI B16.1 Class 125 or ASME/ANSI B16.42 Class 150 or BS EN1092-2 PN16 or GB/T9113.1
- 4.Epoxy resin coating both inside & outside the body
- 5.It could also be operated by the handwheel



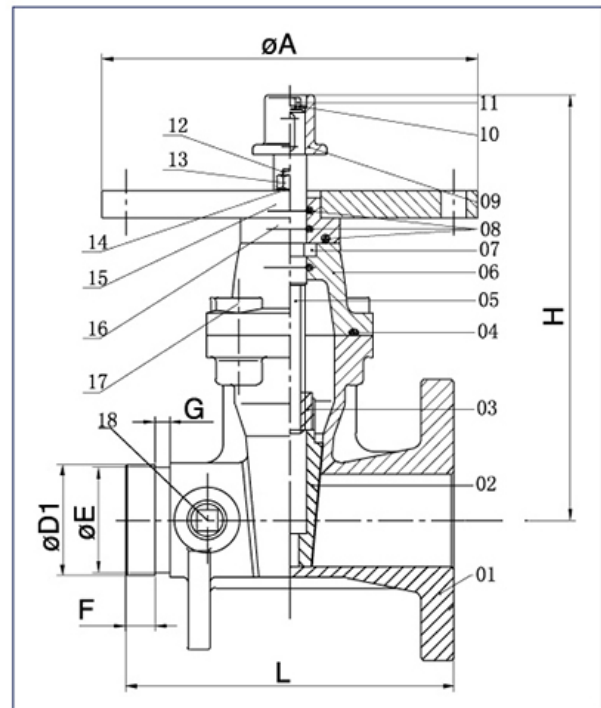
SIZE CHART

| SIZE ITEM | 2-1/2" | 3" | 4" | 5" | 6" | 8" | 10" | 12" |
|--------------|--------|-----|-----|-----|-----|-----|-----|-----|
| L | 190 | 203 | 229 | 254 | 267 | 292 | 330 | 356 |
| H | 289 | 326 | 355 | 410 | 455 | 558 | 648 | 745 |
| øA | 305 | 305 | 305 | 305 | 305 | 305 | 305 | 305 |

| 18 | Plug | 2 | C95400 | ASTM B148 |
|-----|-----------------------|------|----------|---------------------------|
| 17 | Countersunk Head Bolt | 1 | Steel | |
| 16 | Platen | 1 | DI | ASTM A536 65-45-12 |
| 15 | Coupling Flange | 2 | DI | ASTM A536 65-45-12 |
| 14 | Plain Washer | 2 | Steel | |
| 13 | Blind Nut | 2 | Steel | |
| 12 | Bolt Stud | 1 | Steel | |
| 11 | Bolt | 1 | Steel | |
| 10 | Minipad | 1 | Steel | |
| 09 | Scotch | 1 | DI | ASTM A536 65-45-12 |
| 08 | O-Ring | 3 | EPDM | ASTM D2000 EPDM |
| 07 | Retainer Ring | 1 | C95400 | ASTM B148 |
| 06 | Cap | 1 | DI | ASTM A536 65-45-12 |
| 05 | Stem | 1 | S.S.304 | ASTM A276 |
| 04 | Gasket | 1 | EPDM | ASTM D2000 EPDM |
| 03 | Nut | 1 | C95400 | ASTM B148 |
| 02 | Disc | 1 | DI+EPDM | ASTM A536 65-45-12 + EPDM |
| 01 | Body | 1 | DI | ASTM A536 65-45-12 |
| NO. | Name | Qty. | Material | Remark |

200PSI-NRS Type Flanged x Grooved Gate Valve, UL/ULC Listed, FM Approved**Model No.:Z485****Technical Specifications:**

- 1.Design Standard:AWWA C515
- 2.Nominal Pressure:200PSI
- 3.Flange standard :ASME/ANSI B16.1 Class 125 or ASME/ANSI B16.42 Class 150 or BS EN1092-2 PN16 or GB/T9113.1
- 4.Groove Standard:Metric or AWWA C606
- 5.Epoxy resin coating both inside & outside the body
- 6.It could also be operated by the handwheel

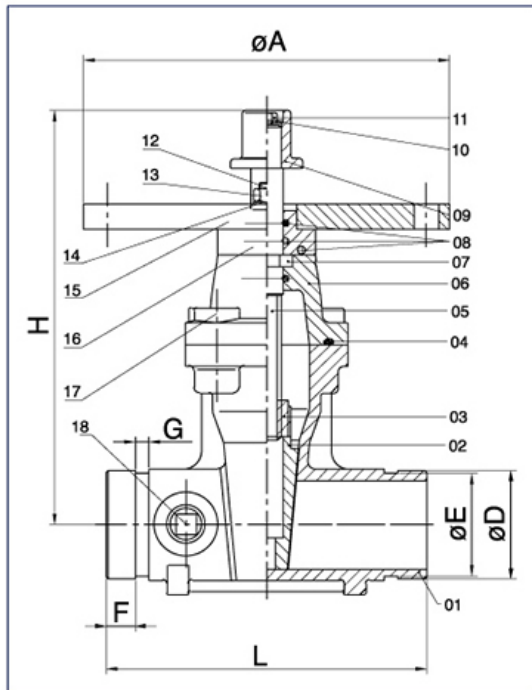
**SIZE CHART**

| SIZE ITEM | 2-1/2" | 3" | 4" | 5" | 6" | 8" | 10" | 12" |
|-----------|--------|------|-------|-------|-------|-------|-------|-------|
| L | 190 | 203 | 229 | 254 | 267 | 292 | 330 | 356 |
| H | 289 | 326 | 355 | 410 | 455 | 558 | 648 | 745 |
| øD1 | 76.1 | 88.9 | 114.3 | 141.3 | 168.3 | 219.1 | 273 | 323.9 |
| øE | 72.3 | 84.9 | 110.1 | 137 | 163.9 | 214.4 | 268.3 | 318.3 |
| F | 15.9 | 15.9 | 15.9 | 15.9 | 15.9 | 19 | 19 | 19 |
| G | 7.9 | 7.9 | 9.5 | 9.5 | 9.5 | 11.1 | 12.7 | 12.7 |
| øA | 305 | 305 | 305 | 305 | 305 | 305 | 305 | 305 |

| | | | | |
|------------|-----------------------|-------------|-----------------|---------------------------|
| 18 | Plug | 2 | C95400 | ASTM B148 |
| 17 | Countersunk Head Bolt | n | Steel | |
| 16 | Platen | 1 | DI | ASTM A536 65-45-12 |
| 15 | Coupling Flange | 2 | DI | ASTM A536 65-45-12 |
| 14 | Plain Washer | 2 | Steel | |
| 13 | Blind Nut | 2 | Steel | |
| 12 | Bolt Stud | 1 | Steel | |
| 11 | Bolt | 1 | Steel | |
| 10 | Minipad | 1 | Steel | |
| 09 | Scotch | 1 | DI | ASTM A536 65-45-12 |
| 08 | O-Ring | 2 | EPDM | ASTM D2000 EPDM |
| 07 | Retainer Ring | 1 | C95400 | ASTM B148 |
| 06 | Cap | 1 | DI | ASTM A536 65-45-12 |
| 05 | Stem | 1 | S.S.304 | ASTM A276 |
| 04 | Gasket | 1 | EPDM | ASTM D2000 EPDM |
| 03 | Nut | 1 | C95400 | ASTM B148 |
| 02 | Disc | 1 | DI+EPDM | ASTM A536 65-45-12 + EPDM |
| 01 | Body | 1 | DI | ASTM A536 65-45-12 |
| NO. | Name | Qty. | Material | Remark |

200PSI-NRS Type Grooved End Gate Valve,UL/ULC Listed,FM Approved**Model No.:Z85****Technical Specifications:**

- 1.Design Standard:AWWA C515
- 2.Nominal Pressure:200PSI
- 3.Groove Standard:Metric or AWWA C606
- 4.Epoxy resin coating both inside & outside the body
- 5.It could also be operated by the handwheel

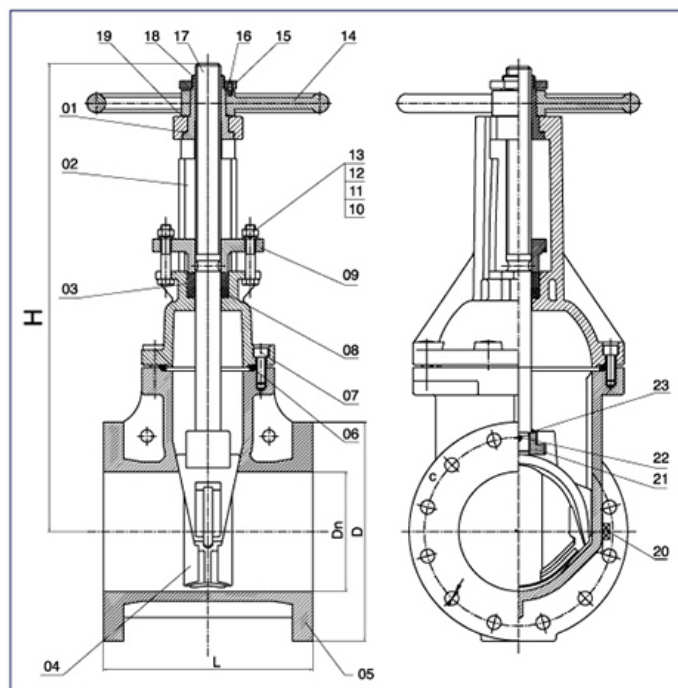
**SIZE CHART**

| SIZE | 2-1/2" | 3" | 4" | 5" | 6" | 8" | 10" | 12" |
|----------|--------|------|-------|-------|-------|-------|-------|-------|
| L | 190 | 203 | 229 | 254 | 267 | 292 | 330 | 356 |
| H | 289 | 326 | 355 | 410 | 455 | 558 | 648 | 745 |
| ϕD | 76.1 | 88.9 | 114.3 | 141.3 | 168.3 | 219.1 | 273 | 323.9 |
| ϕE | 72.3 | 84.9 | 110.1 | 137 | 163.9 | 214.4 | 268.3 | 318.3 |
| F | 15.9 | 15.9 | 15.9 | 15.9 | 15.9 | 19 | 19 | 19 |
| G | 7.9 | 7.9 | 9.5 | 9.5 | 9.5 | 11.1 | 12.7 | 12.7 |
| ϕA | 305 | 305 | 305 | 305 | 305 | 305 | 305 | 305 |

| 18 | Plug | 2 | C95400 | ASTM B148 |
|-----|-----------------------|------|----------|---------------------------|
| 17 | Countersunk Head Bolt | n | Steel | |
| 16 | Platen | 1 | DI | ASTM A536 65-45-12 |
| 15 | Coupling Flange | 2 | DI | ASTM A536 65-45-12 |
| 14 | Plain Washer | 2 | Steel | |
| 13 | Blind Nut | 2 | Steel | |
| 12 | Bolt Stud | 1 | Steel | |
| 11 | Bolt | 1 | Steel | |
| 10 | Minipad | 1 | Steel | |
| 09 | Scotch | 1 | DI | ASTM A536 65-45-12 |
| 08 | O-Ring | 2 | EPDM | ASTM D2000 EPDM |
| 07 | Retainer Ring | 1 | C95400 | ASTM B148 |
| 06 | Cap | 1 | DI | ASTM A536 65-45-12 |
| 05 | Stem | 1 | S.S.304 | ASTM A276 |
| 04 | Gasket | 1 | EPDM | ASTM D2000 EPDM |
| 03 | Nut | 1 | C95400 | ASTM B148 |
| 02 | Disc | 1 | DI+EPDM | ASTM A536 65-45-12 + EPDM |
| 01 | Body | 1 | DI | ASTM A536 65-45-12 |
| No. | Name | Qty. | Material | Remark |

300PSI-OS&Y Type Flanged End Gate Valve,UL/ULC Listed,FM Approved**Model No.:Z41-300****Technical Specifications:**

- 1.Design Standard:AWWA C515
- 2.Nominal Pressure:300PSI
- 3.Flange standard :ASME/ANSI B16.1 Class 125 or ASME/ANSI B16.42 Class 150 or BS EN1092-2 PN16 or GB/T9113.1
- 4.Epoxy resin coating both inside & outside the body

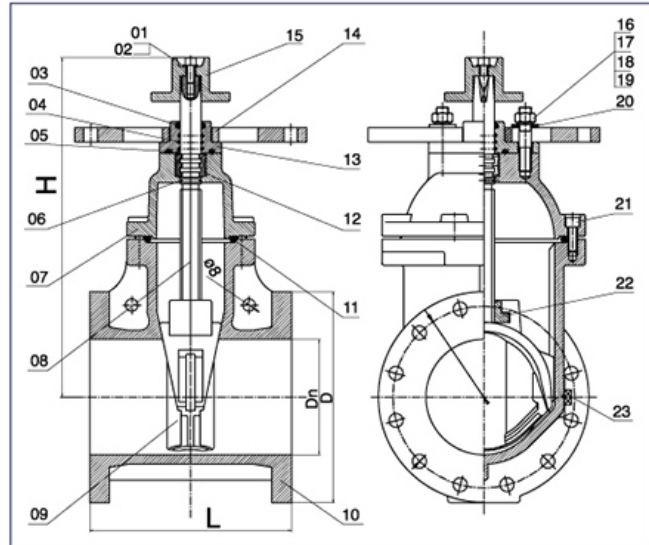
**SIZE CHART**

| SIZE ITEM | 2-1/2" | 3" | 4" | 5" | 6" | 8" | 10" | 12" |
|--------------|--------|-----|-----|-------|-----|-----|-----|------|
| Dn | 65 | 80 | 103 | 128.5 | 155 | 204 | 255 | 304 |
| L | 190 | 203 | 229 | 254 | 267 | 292 | 330 | 356 |
| D | 178 | 191 | 229 | 254 | 279 | 343 | 406 | 483 |
| H | 370 | 420 | 447 | 547 | 607 | 754 | 890 | 1031 |

| | | | |
|------------|----------------|-------------|-----------------|
| 23 | Sealing Ring | 1 | EPDM |
| 22 | Pin | 1 | S.S.304 |
| 21 | Lifting Nut | 1 | CF8M |
| 20 | Plug | 2 | C95400 |
| 19 | Gasket | 1 | C95400 |
| 18 | Stem Nut | 1 | S.S.304 |
| 17 | Stem | 1 | S.S.304 |
| 16 | Locating Screw | 1 | S.S.304 |
| 15 | Lock Nut | 1 | C95400 |
| 14 | Handwheel | 1 | DI |
| 13 | Spring Washer | 2 | Steel |
| 12 | Bolt | 2 | Steel |
| 11 | Flat Washer | 2 | Steel |
| 10 | Nut | 2 | Steel |
| 09 | Gland | 1 | DI |
| 08 | | | |
| 07 | Bolt | m | Steel |
| 06 | Sealing Ring | 1 | EPDM |
| 05 | Body | 1 | DI |
| 04 | Disc | 1 | DI+EPDM |
| 03 | Packing | 3 | GRAPHITE |
| 02 | Bonnct | 1 | DI |
| 01 | Gasket | 1 | C95400 |
| NO. | Name | Qty. | Material |

300PSI-NRS Type Flanged End Gate Valve,UL/ULC Listed,FM Approved**Model No.:Z45-300****Technical Specifications:**

- 1.Design Standard:AWWA C515
- 2.Nominal Pressure:300PSI
- 3.Flange standard :ASME/ANSI B16.1 Class 125 or ASME/ANSI B16.42 Class 150 or BS EN1092-2 PN16 or GB/T9113.1
- 4.Epoxy resin coating both inside & outside the body
- 5.It could also be operated by the handwheel

**SIZE CHART**

| SIZE ITEM | 2-1/2" | 3" | 4" | 5" | 6" | 8" | 10" | 12" |
|--------------|--------|-----|-----|-------|-----|-----|-----|-----|
| Dn | 65 | 80 | 103 | 128.5 | 155 | 204 | 255 | 304 |
| L | 190 | 203 | 229 | 254 | 267 | 292 | 330 | 356 |
| D | 178 | 191 | 229 | 254 | 279 | 343 | 406 | 483 |
| H | 292 | 322 | 342 | 412 | 448 | 534 | 635 | 720 |

| 23 | Plug | 2 | C95400 |
|-----|---------------------|------|----------|
| 22 | Masterscrew | 1 | C95400 |
| 21 | Inner Hexagon Screw | n | Steel |
| 20 | Washer | n | Steel |
| 19 | Washer | n | Steel |
| 18 | Spring Washer | n | Steel |
| 17 | Studs | n | S.S.304 |
| 16 | Nut | n | S.S.304 |
| 15 | Link Block | 1 | DI |
| 14 | Terminal Pad | 1 | DI |
| 13 | Gland | 1 | DI |
| 12 | Retaining Ring | 2 | C95400 |
| 11 | Sealing Ring | 1 | EPDM |
| 10 | Body | 1 | DI |
| 09 | Disc | 1 | DI+EPDM |
| 08 | Stem | 1 | S.S.304 |
| 07 | Bonnet | 1 | DI |
| 06 | O-Ring | 1 | EPDM |
| 05 | Sealing Ring | 1 | EPDM |
| 04 | O-Ring | 3 | EPDM |
| 03 | Sealing Gland | 1 | EPDM |
| 02 | Inner Hexagon Screw | 1 | S.S.304 |
| 01 | Flat Washer | 1 | S.S.304 |
| NO. | Name | Qty. | Material |

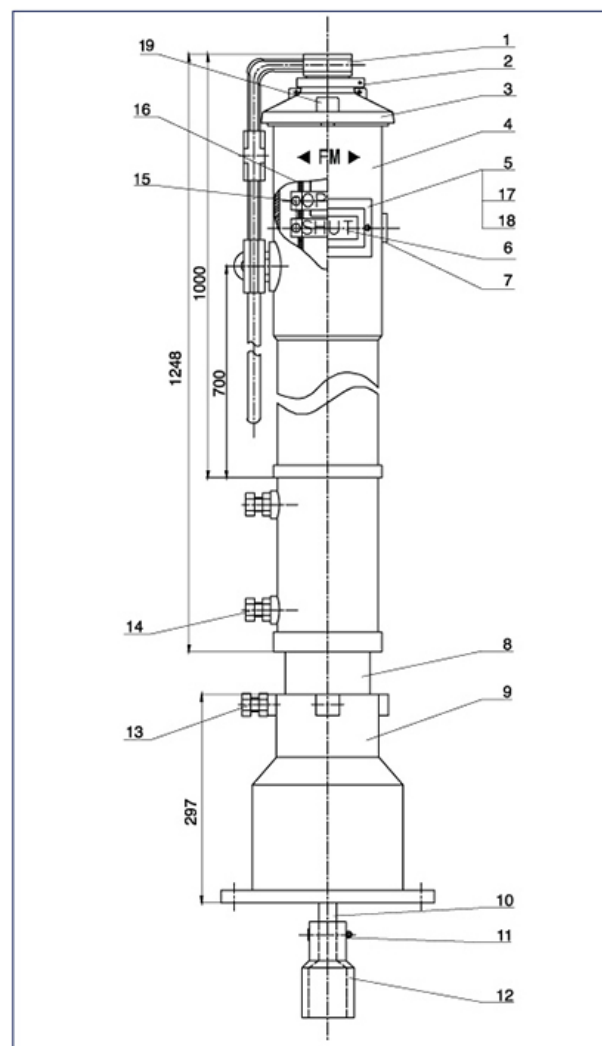
Vertical Type Indicator Post, UL/ULC Listed, FM Approved

Model No.: ZSQ



Installation Instructions :

1. Unload the upper cover of control lead
2. Measure control lead depth, remove the excess part of connector lead and driving rod
3. Fit the control rod with full closed valve, turn the position plate to SHUT position
4. Load upper cover



| NO. | Name | Material | REMARK |
|-----|----------------------|---------------|------------|
| 1 | Handle | DI | ASTM A536 |
| 2 | Driving Rod | S.S.304 | ASTM A276 |
| 3 | Indicator Cover | CI | ASTM A126 |
| 4 | Housing | CI | ASTM A126 |
| 5 | Keyhole Plate | A283 Gr.C | ASTM A36 |
| 6 | Indicator Plate | A413.0 | ASTM S12A |
| 7 | Screwed Plug | 1035 | ASTM A449 |
| 8 | Extension Rod | A283 Gr.C | ASTM A36 |
| 9 | Flange | CI | ASTM A126 |
| 10 | Connecting Rod | 1045 | ASTM A29 |
| 11 | Cotter Pin | 1035 | ASTM A449 |
| 12 | Joint | CI | ASTM A126 |
| 13 | Bolt | 1035 | ASTM A29 |
| 14 | Bolt | 1035 | ASTM A29 |
| 15 | Bolt | 1035 | ASTM A29 |
| 16 | Driving Nut | S.S.304 | ASTM A276 |
| 17 | Keyhole Plate Gasket | EPDM | ASTM D2000 |
| 18 | Indicator Flap | Organic glass | |
| 19 | Bolt | 1035 | ASTM A29 |

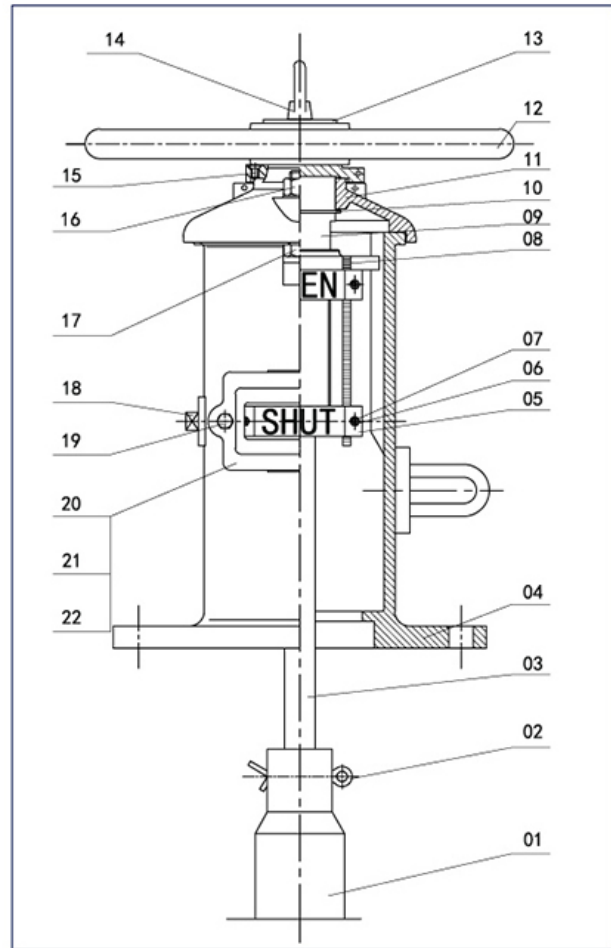
Wall Type Indicator Post,UL/ULC Listed,FM Approved

Model No.:QSCZG



Installation Instructions :

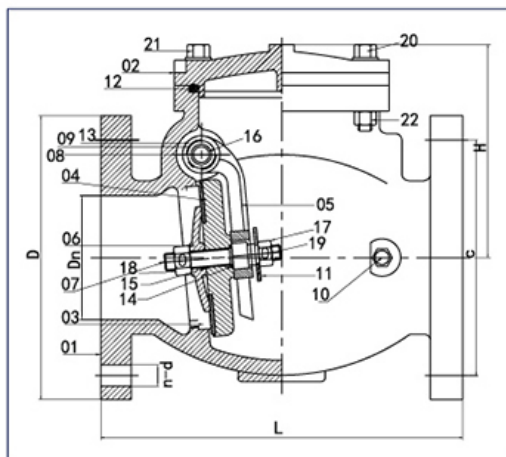
- 1.Unload the upper cover of control lead
- 2.Measure control lead depth,remove the excess part of connector lead and driving rod
- 3.Fit the control rod with full closed valve,turn the position plate to SHUT position
- 4.Load upper cover



| 22 | Keyhole Plate Gasket | 2 | EPDM | ASTM D2000 |
|-----|------------------------|------|---------------|------------|
| 21 | Keyhole | 2 | Organic glass | |
| 20 | Keyhole Plate | 2 | A283 Gr.c | ASTM A36 |
| 19 | Bolt- Flat Gasket | 4 | S.S.304 | ASTM A276 |
| 18 | Screwed Plug | 1 | 1035 | ASTM A29 |
| 17 | Bolt | 2 | 1035 | ASTM A29 |
| 16 | Nut | 2 | 1035 | ASTM A29 |
| 15 | Screw | 1 | 1035 | ASTM A29 |
| 14 | Lift Ring | 1 | 1035 | ASTM A29 |
| 13 | Gasket | 1 | A283 Gr.c | ASTM A36 |
| 12 | Handwheel | 1 | CI | ASTM A126 |
| 11 | Upper Cover | 1 | CI | ASTM A126 |
| 10 | Retainer Ring For Stem | 1 | 1566 | ASTM A29 |
| 09 | Driver | 1 | S.S.304 | ASTM A276 |
| 08 | Position Bracket | 1 | S.S.304 | ASTM A276 |
| 07 | Stud Bolt | 4 | 1035 | ASTM A29 |
| 06 | Nut,Gasket | 4 | 1035 | ASTM A29 |
| 05 | Indicator Plate | 4 | A413.0 | ASTM S12A |
| 04 | Main Body | 1 | CI | ASTM A126 |
| 03 | Driving Rod | 1 | 1045 | ASTM A29 |
| 02 | Cotter Pin | 1 | 1035 | ASTM A29 |
| 01 | Joint | 1 | CI | ASTM A126 |
| NO. | Name | Qty. | Material | Remark |

300PSI Flanged End Swing Check Valve,UL Listed,FM Approved**Model No.:MH-XQH-300****Technical Specifications:**

- 1.Design Standard:AWWA C508
- 2.Nominal Pressure:300PSI
- 3.Flange standard :ASME/ANSI B16.1 Class 125 or ASME/ANSI B16.42 Class 150 or BS EN1092-2 PN16 or GB/T9113.1
- 4.Epoxy resin coating both inside & outside the body

**SIZE CHART**

| SIZE ITEM | 2" | 2-1/2" | 3" | 4" | 5" | 6" | 8" | 10" | 12" |
|--------------|-------|--------|-------|-------|-------|-------|-------|--------|--------|
| Dn | 51 | 64 | 80 | 100 | 126 | 152 | 204 | 254 | 302 |
| L | 203 | 216 | 241 | 292 | 330 | 356 | 495 | 622 | 698 |
| D | 152 | 178 | 191 | 229 | 254 | 279 | 343 | 406 | 483 |
| c | 120.5 | 139.5 | 152.5 | 190.5 | 216 | 241.5 | 298.5 | 362 | 432 |
| n-d | 4-ø19 | 4-ø19 | 4-ø19 | 8-ø19 | 8-ø22 | 8-ø22 | 8-ø22 | 12-ø25 | 12-ø25 |
| H | 142 | 148 | 163.5 | 172 | 237 | 233 | 301 | 348 | 419 |

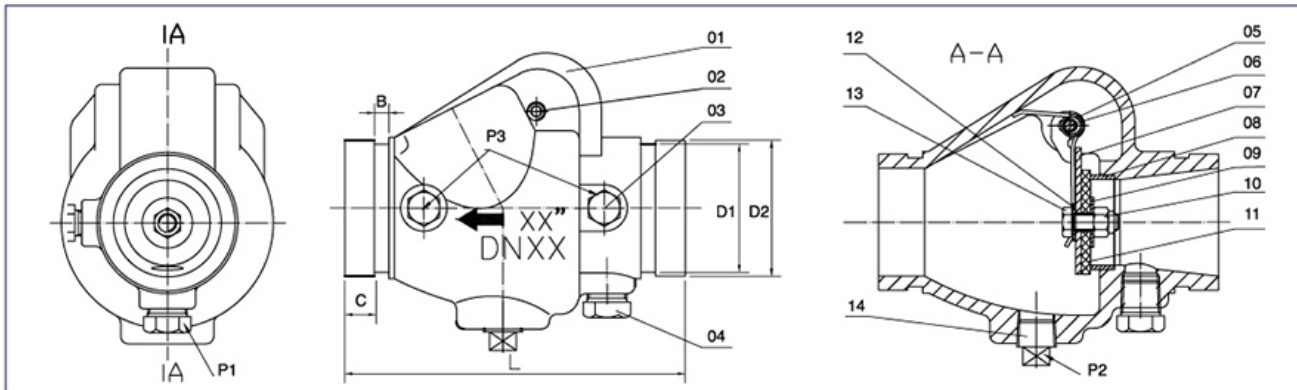
| NO. | Name | Material/Standard | Remark |
|-----|---|--------------------|----------------------|
| 1 | Body | ASTM A536 65-45-12 | |
| 2 | Bonnet | ASTM A536 65-45-12 | |
| 3 | Seat Ring | ASTM A148 C95400 | |
| 4 | Disc | ASTM A536 65-45-12 | |
| 5 | Rocker Arm | ASTM A536 65-45-12 | |
| 6 | Baffle Plate | ASTM A148 C95400 | |
| 7 | Middle Plate | ASTM A276 SS304 | |
| 8 | Pinned Stem | ASTM A276 SS304 | |
| 9 | Bracket Screw | ASTM A351 SS304 | Not shown in drawing |
| 10 | Plug | ASTM A148 C95400 | |
| 11 | Gasket | ASTM A276 SS304 | |
| 12 | O-Ring (large) | ASTM D2000 EPDM | |
| 13 | O-Ring (for bracket screw) | ASTM D2000 EPDM | Not shown in drawing |
| 14 | O-Ring (for mid stem) | ASTM D2000 EPDM | |
| 15 | O-Ring (for mid stem small) | ASTM D2000 EPDM | |
| 16 | Bronze bushing | powder metallurgy | Not shown in drawing |
| 17 | SS304 Outer Hexagon Nut M12 | ASTM A276 SS304 | |
| 18 | SS304 Outer Hexagon Nut M12 | ASTM A276 SS304 | |
| 19 | SS304 Cotter Pin 4x55 | ASTM A276 SS304 | |
| 20 | "M12x60 Zinc Outer Hexagon Bolt (half thread) " | ASTM A194 2H STEEL | |
| 21 | "M12x40 Zinc Outer Hexagon Bolt (full thread) " | ASTM A194 2H STEEL | |
| 22 | M12 Zinc Outer Hexagon Nut | ASTM A194 2H STEEL | |

350PSI FlangedxGrooved End/Grooved End Swing Check Valve,UL Listed

Model No.:MH-XQH-350G



- 1.Installed in both Horizontal or Vertical Line with Upward Flow
- 2.Easier and Faster to Maintain and Install



| ITEM SIZE | L | D1 | D2 | B | C | P1 | | P2 | | | | P3 | | | |
|-----------|-----|--------|-------|-------|-------|-----------|-----------|-----------|-----------|---------------|---------------|-----------|-----------|-----------|-----------|
| 2" | 169 | 57.15 | 60.3 | 7.95 | 15.88 | 1/2-14NPT | 1/2-14NPT | 3/4-14NPT | 1-11.5NPT | 1 1/4-11.5NPT | 1 1/2-11.5NPT | 2-11.5NPT | 1/4-18NPT | 3/8-18NPT | 1/2-14NPT |
| 2.5" | 181 | 69.09 | 73 | 7.95 | 15.88 | 1/2-14NPT | 1/2-14NPT | 3/4-14NPT | 1-11.5NPT | 1 1/4-11.5NPT | 1 1/2-11.5NPT | 2-11.5NPT | 1/4-18NPT | 3/8-18NPT | 1/2-14NPT |
| | | 72.26 | 76.1 | | | | | | | | | | | | |
| 3" | 198 | 84.94 | 88.9 | 7.95 | 15.88 | 1/2-14NPT | 1/2-14NPT | 3/4-14NPT | 1-11.5NPT | 1 1/4-11.5NPT | 1 1/2-11.5NPT | 2-11.5NPT | 1/4-18NPT | 3/8-18NPT | 1/2-14NPT |
| 4" | 214 | 110.08 | 114.3 | 9.53 | 15.88 | 1/2-14NPT | 1/2-14NPT | 3/4-14NPT | 1-11.5NPT | 1 1/4-11.5NPT | 1 1/2-11.5NPT | 2-11.5NPT | 1/4-18NPT | 3/8-18NPT | 1/2-14NPT |
| 5" | 248 | 135.48 | 139.7 | 9.53 | 15.88 | 1/2-14NPT | 1/2-14NPT | 3/4-14NPT | 1-11.5NPT | 1 1/4-11.5NPT | 1 1/2-11.5NPT | 2-11.5NPT | 1/4-18NPT | 3/8-18NPT | 1/2-14NPT |
| | | 137.03 | 141.3 | | | | | | | | | | | | |
| 6" | 270 | 160.78 | 165.1 | 9.53 | 15.88 | 1/2-14NPT | 1/2-14NPT | 3/4-14NPT | 1-11.5NPT | 1 1/4-11.5NPT | 1 1/2-11.5NPT | 2-11.5NPT | 1/4-18NPT | 3/8-18NPT | 1/2-14NPT |
| | | 163.96 | 168.1 | | | | | | | | | | | | |
| 8" | 325 | 211.6 | 216.3 | 11.13 | 19.05 | 1/2-14NPT | 1/2-14NPT | 3/4-14NPT | 1-11.5NPT | 1 1/4-11.5NPT | 1 1/2-11.5NPT | 2-11.5NPT | 1/4-18NPT | 3/8-18NPT | 1/2-14NPT |
| | | 214.4 | 219.1 | | | | | | | | | | | | |

| 14 | Plug | 1 | Steel |
|----|---------------|-----|----------|
| 13 | Bolt | 1 | SS304 |
| 12 | Gasket | 1 | EPDM |
| 11 | Facing Seal | 1 | EPDM |
| 10 | Locknut | 1 | SS304 |
| 9 | Clamping Ring | 1 | SS304 |
| 8 | Seat | 1 | C95400 |
| 7 | Clapper | 1 | SS304 |
| 6 | Hinge Pin | 1 | SS304 |
| 5 | Spring | 1 | SS304 |
| 4 | Plug | 1 | Steel |
| 3 | Plug | 2 | Steel |
| 2 | Bolt | 2 | Steel |
| 1 | Valve Body | 1 | DI |
| NO | NAME | QTY | MATERIAL |



Ningjin APC Industries

Ningjin APC Industries Co.,Ltd

Add: No.18 Taishan Road,Ningjin,Shandong,P.R.China 253400

Tel: +86-534-5216788 / 5571078

Fax: +86-534-5216766 / 5571066

Website: www.apc-valve.com

E-mail: meihuaapc@vip.163.com